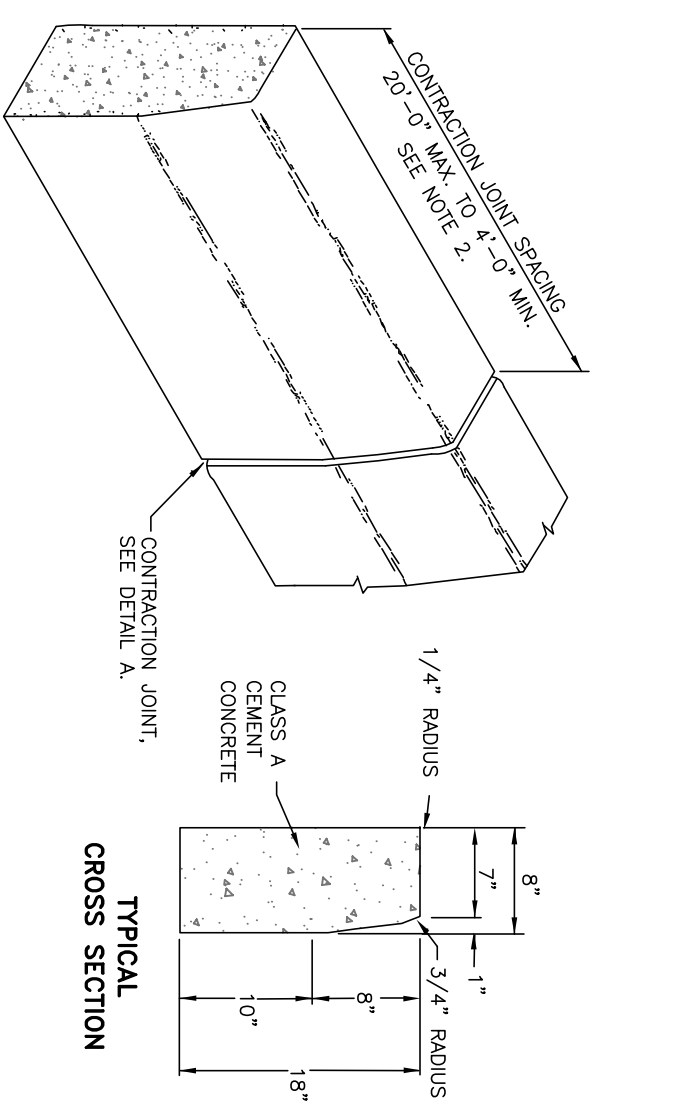
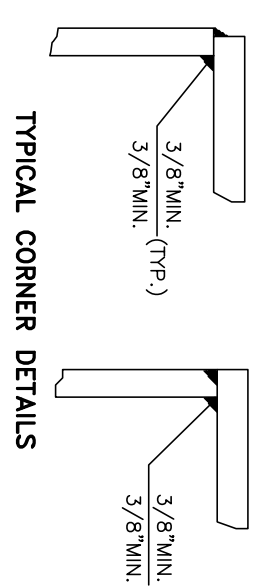
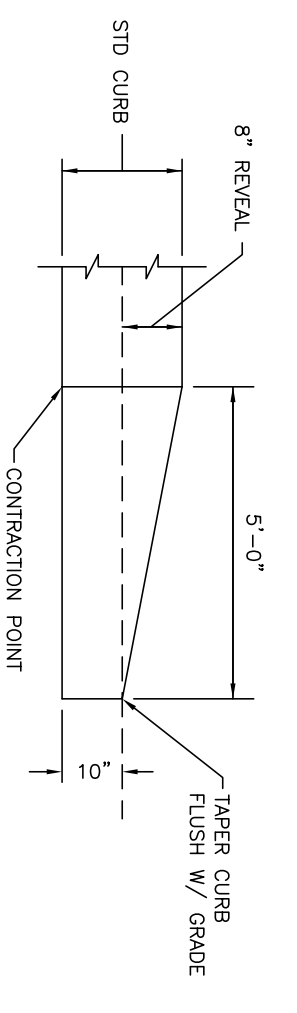


BICYCLE SAFE STRUCTURAL STEEL GRATE
NOT TO SCALE

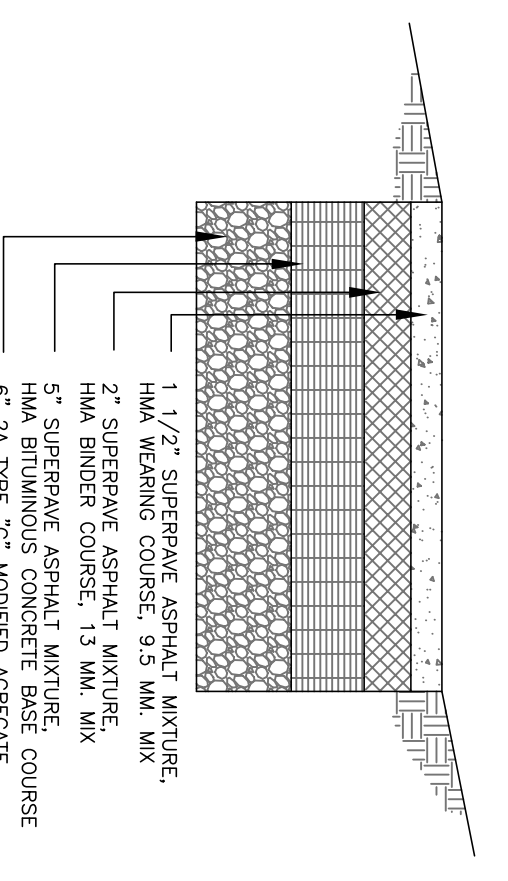


PLAIN CEMENT CONCRETE CURB
NOT TO SCALE

1. MATERIALS AND CONSTRUCTION SHALL MEET THE SPECIFICATIONS FOR PLAIN CEMENT CONCRETE CURB AND DEPRESSED CURB AND 2. SPACE CONTRACTION JOINTS IN UNIFORM LENGTHS OR SECTIONS.
2. PLACE 3/4"-4" INCH PRECASTED EXPANSION JOINT RILERS AT THE CURB JOINTS.
3. CUT MATERIAL TO CONFORM TO AREA ADJACENT TO CURB OR TO CONFORM TO CROSS SECTIONAL AREA OF CURB.

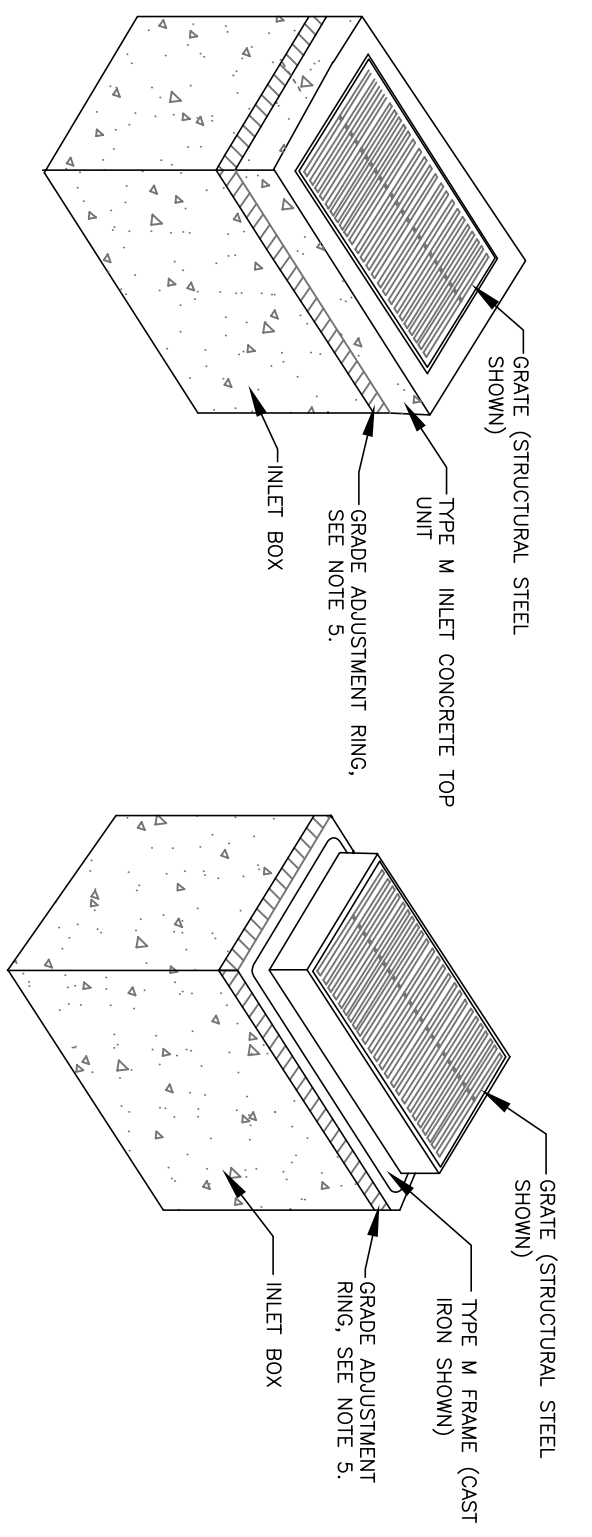


CURB END TREATMENT DETAIL
NOT TO SCALE



SITE PAVING CROSS SECTION
NOT TO SCALE

ALL MATERIAL SHALL BE EQUAL OR SUPERIOR TO PENNONT SPECIFICATIONS PUBLICATION 408/96, AS AMENDED, AND SHALL BE APPLIED IN ACCORDANCE WITH THOSE SAME SPECIFICATIONS.

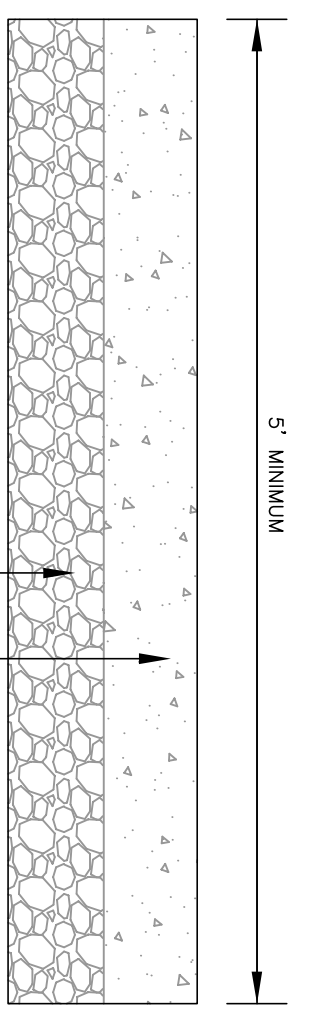


TYPE M INLET
NOT TO SCALE

- NOTES
1. CONSTRUCTION REQUIREMENTS:
 - A. CONSTRUCT IN ACCORDANCE WITH: PENNONT PUBLICATION 408 SPECIFICATIONS, SECTIONS 605, 606, 714, AND AS MODIFIED HEREIN.
 - B. CAST-IN-PLACE CONCRETE TOP UNIT
 - C. PRECAST STEEL REINFORCEMENT IN ACCORDANCE WITH SEC. 709, PROVIDE MINIMUM YIELD STRENGTH OF 60,000 PSI.
 - D. CLEAR COVER FOR STEEL:
 - CAST-IN-PLACE PRECAST: 2" (TOP AND BOTTOM)
 - PRECAST: 1 1/2" (SIDE COVER)
 2. THIS SHEET DEPICTS THE VARIOUS COMPONENTS REQUIRED FOR COMPLETE INLET ASSEMBLIES FOR INDIVIDUAL COMPONENTS AND OTHER SPECIAL DETAILS. SEE THE FOLLOWING:
 - "GRATES" DRAWING FOR GRATES
 - "TOFFRAVES" DRAWING FOR GRATES
 - "INLETBOX" DRAWING FOR STANDARD INLET BOXES (CAST-IN-PLACE)
 - "INSTANDBY" DRAWING FOR TYPE D-H INLET PARTICULAR SITUATION AS EQUATES
 - "INSTANDBY" DRAWING FOR MOFFED INLET BOXES (CAST-IN-PLACE) AND GRADE ADJUSTMENT RINGS (PRECAST)
 3. EACH TYPE OF INLET DESIGNATION IS SUITED FOR A PARTICULAR SITUATION AS EQUATES.
 4. TYPE M INLET IS DESIGNATED FOR INSTALLATION IN MEDIA AREAS AND MOUNTABLE CURBS.
 5. RESPONSIBILITY OF CONTRACTORS TO ACHIEVE A SCHEDULED INLET ASSEMBLY IS THE CONTRACTOR'S.
 6. USE PRECAST CONCRETE OR STEEL GRADE ADJUSTMENT RINGS WHEN REQUIRED.
 7. SUB-BASE DRAIN OPENINGS WILL BE PROVIDED WHERE DIRECTED BY THE TOWNSHIP ENGINEER.
 8. PROPOSED INLET NUMBERS 1, 2, 3, 4, 5, 12, AND 13 SHALL BE SCHEDULED.

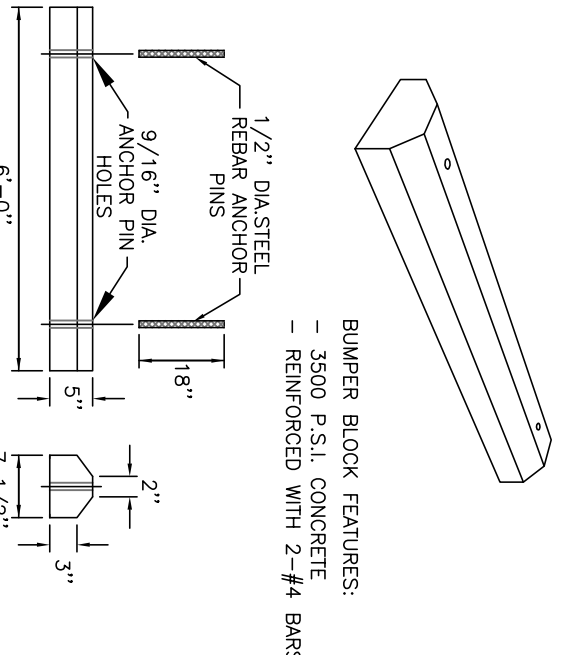


TYPE M INLET
NOT TO SCALE



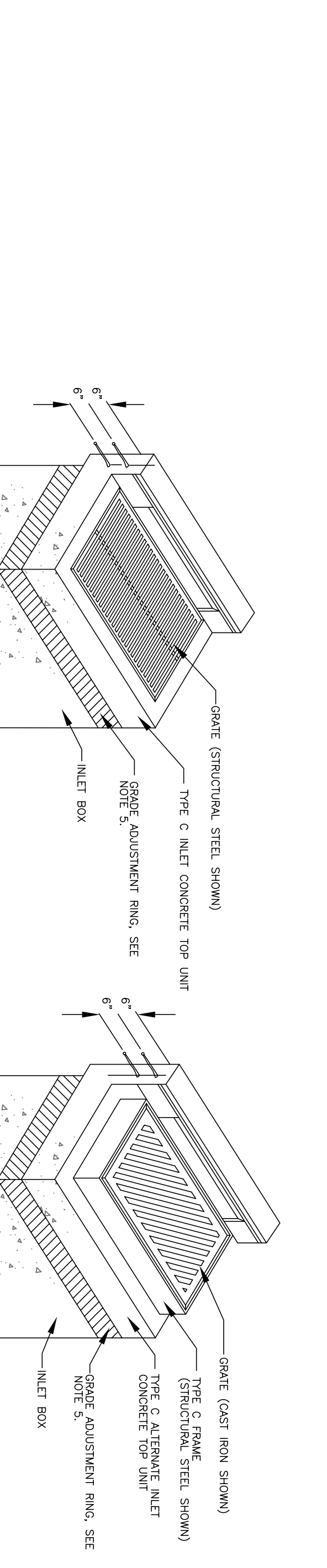
SIDEWALK DETAIL
NOT TO SCALE

- NOTES:
1. CONCRETE USED IN SIDEWALK WORK SHALL BE CERTIFIED TO DEVELOP A COMPRESSIVE STRESS OF AT LEAST THREE THOUSAND (3,000) P.S.I. AT TWENTY-EIGHT (28) DAYS.
 2. CONCRETE SHALL BE PLACED IN FORMS THAT ARE STRAIGHT AND SECURELY BRACED.
 3. CARE SHALL BE TAKEN TO CONTROL THE WATER CONTENT TO PREVENT CRACKING.
 4. THE CONCRETE SHALL HAVE A BROOD FINISH AND THE EDGE SHALL BE FINISHED WITH AN EDGING TOOL.
 5. THE CONCRETE SHALL BE PLACED SO THAT THERE IS A SEPARATE JOINT EVERY FIVE FEET.
 6. THERE SHALL BE ONE-HALF (1/2) INCH PRECASTED EXPANSION JOINTS BETWEEN EVERY FIFTH SECTION AND BETWEEN ALL POINTS WHERE THE CONCRETE SIDEWALK ABUTS A CONCRETE CURB.

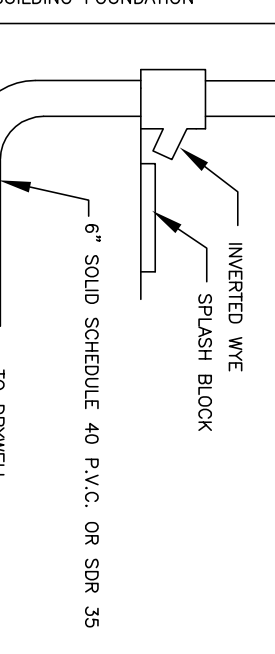


PRECAST CONCRETE WHEEL STOP
NOT TO SCALE

PENNSYLVANIA ONE CALL SYSTEM
P.A. ACT 122 OF 1988 REQUIRES
THREE WORKING DAYS NOTICE
SERIAL NUMBER 20183200324

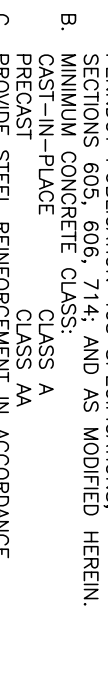


TYPE C INLET
NOT TO SCALE

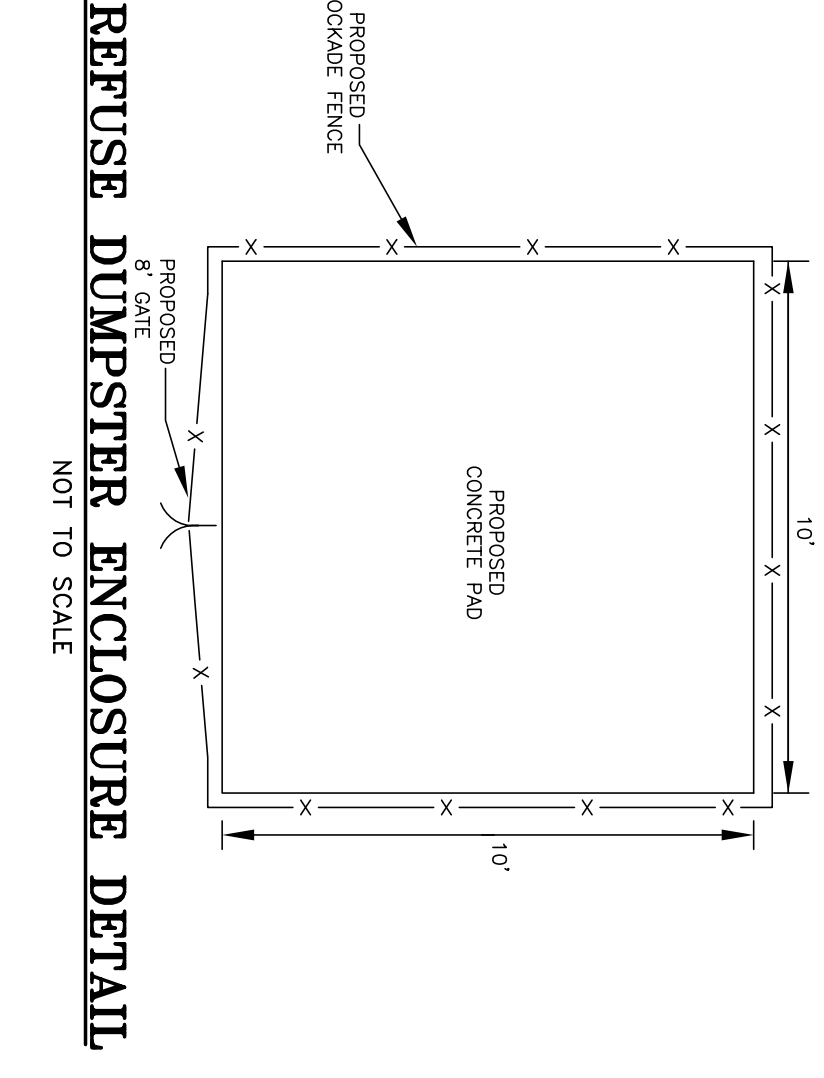


DOWNSPOUT (TYP.)
NOT TO SCALE

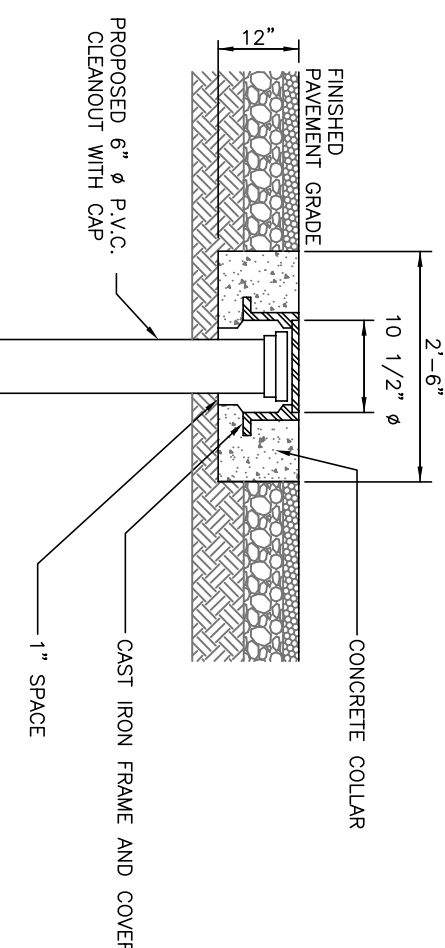
- NOTES
1. CONSTRUCTION REQUIREMENTS:
 - A. PENNONT PUBLICATION 408 SPECIFICATIONS.
 - B. SECTION 605, 606, 714, AND AS MODIFIED HEREIN.
 - C. CAST-IN-PLACE CONCRETE TOP UNIT
 - D. PRECAST STEEL REINFORCEMENT IN ACCORDANCE WITH SEC. 709, PROVIDE MINIMUM YIELD STRENGTH OF 60,000 PSI.
 - E. CLEAR COVER FOR STEEL:
 - CAST-IN-PLACE PRECAST: 2" (TOP AND BOTTOM)
 - PRECAST: 1 1/2" (SIDE COVER)
 2. THIS SHEET DEPICTS THE VARIOUS COMPONENTS REQUIRED FOR COMPLETE INLET ASSEMBLIES. FOR INDIVIDUAL COMPONENTS AND OTHER SPECIAL DETAILS, SEE THE FOLLOWING:
 - "GRATES" DRAWING FOR GRATES
 - "TOFFRAVES" DRAWING FOR CONCRETE TOP UNITS
 - "INLETBOX" DRAWING FOR STANDARD INLET BOXES (CAST-IN-PLACE) AND GRADE ADJUSTMENT RINGS (PRECAST)
 - "INSTANDBY" DRAWING FOR MOFFED INLET BOXES (CAST-IN-PLACE) AND GRADE ADJUSTMENT RINGS (PRECAST)
 - "INSTANDBY" DRAWING FOR TYPE D-H INLET PARTICULAR SITUATION AS EQUATES
 - "INSTANDBY" DRAWING FOR MOFFED INLET BOXES (CAST-IN-PLACE) AND GRADE ADJUSTMENT RINGS (PRECAST)
 - TYPE C INLET IS DESIGNATED FOR INSTALLATION IN MEDIA AREAS AND MOUNTABLE CURBS
 - TYPE S INLET IS DESIGNATED FOR INSTALLATION IN SHOULDER SMALL AREAS.
 - 3. EACH TYPE OF INLET DESIGNATION IS SUITED FOR A PARTICULAR SITUATION AS EQUATES.
 - 4. TYPE S INLET IS DESIGNATED FOR INSTALLATION IN SHOULDER SMALL AREAS.
 - 5. USE PRECAST CONCRETE OR STEEL GRADE ADJUSTMENT RINGS WHEN REQUIRED.
 - 6. FOR FOOTING REINFORCEMENT TOP AND BOTTOM USE #4 BARS AT 12" CENTERS EACH WAY OR 0.20 IN.2/FT. W.M.F. (6" MAX. SPACING).
 3. RESPONSIBILITY OF CONTRACTORS TO ACHIEVE A SCHEDULED INLET ASSEMBLY IS THE CONTRACTOR'S.
 4. USE PRECAST CONCRETE OR STEEL GRADE ADJUSTMENT RINGS WHEN REQUIRED.
 5. USE PRECAST CONCRETE OR STEEL GRADE ADJUSTMENT RINGS WHEN REQUIRED.
 6. FOR FOOTING REINFORCEMENT TOP AND BOTTOM USE #4 BARS AT 12" CENTERS EACH WAY OR 0.20 IN.2/FT. W.M.F. (6" MAX. SPACING).



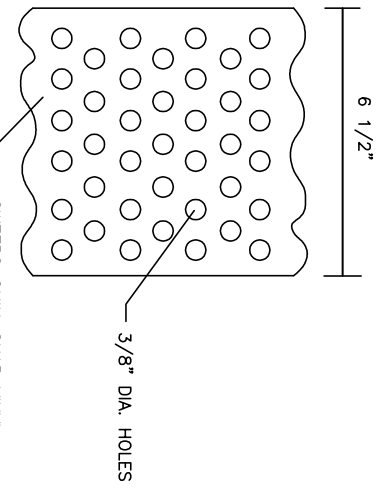
TYPE C INLET
NOT TO SCALE



REFUSE DUMPSTER ENCLOSURE DETAIL
NOT TO SCALE



DRYWELL CLEANOUT WITH FRAME AND COVER DETAIL
NOT TO SCALE



LEAF GUARD DETAIL
NOT TO SCALE

REGISTER ASSOCIATES, INC.
REGISTERED LAND SURVEYORS
AND
PROFESSIONAL ENGINEERS
330 WEST STATE STREET
QUAKERTOWN, PA 17366
(717) 786-5741

No.	Date	Description	Plan Prepared For
1	06-14-2020	Revised per Township Engineer's Review Letter dated July 13, 2020 and TCA Memorandum updated July 14, 2020.	Post Construction Stormwater Management Notes and Detail Sheet Rick Avello
2	06-11-2020	Revised per Township Engineer's Review Letter dated April 1, 2019 and TCA Memorandum updated March 14, 2019.	
3	01-07-2020	Revised to show sanitary sewer inlets.	

Drawn By: DAM
Checked By: CRDIII
Scale: _____
Job Number: 181170
Date: 03-08-19

11
of 16